

RH BABY & CHILD
RH TEEN

LUCIE UPHOLSTERED PANEL BED – TWIN
ASSEMBLY AND INSTALLATION INSTRUCTIONS
ENGLISH

PARTS INCLUDED

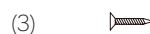
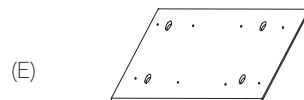
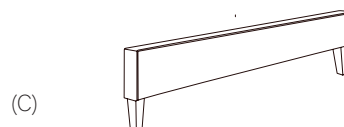
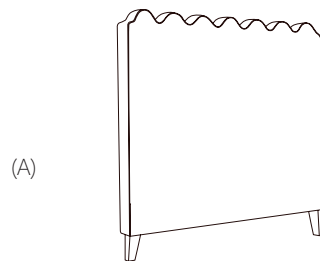
- (A) Headboard (1)
- (B) Side Rail (2)
- (C) Footboard (1)
- (D) Slat (4)
- (E) Platform Panel (2)

HARDWARE INCLUDED

- (1) Allen Key (0.5cm) (1)
- (2) Screw (4cm) (8)
- (3) Screw (3cm) (16)

TOOLS NEEDED

- (a) Phillips Screwdriver (not included)



SAFETY INSTRUCTIONS

Bed must be assembled by at least two people.

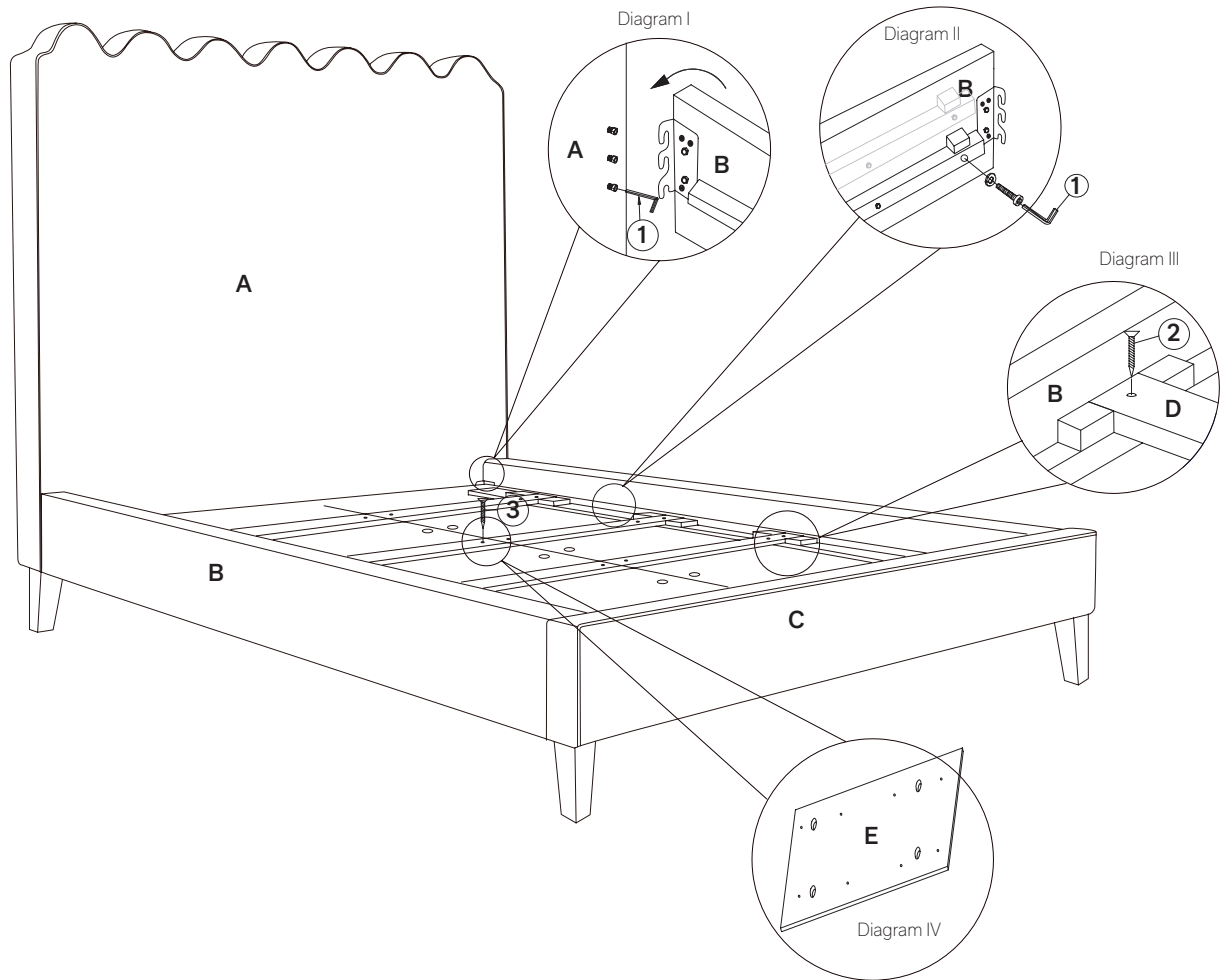
Please read instructions carefully before assembling bed.

Use the above parts and hardware list to identify each component.

Keep all packing materials until assembly is complete to avoid loss of smaller parts.

ASSEMBLY INSTRUCTIONS

1. Stand the Headboard (A) upright and hook both Side Rails (B) to the Headboard (A), as shown in Diagram I.
2. Repeat above procedure to attach the Footboard (C), then tighten all Allen Bolts with Allen Key (1).
3. By default, the bed is set to the higher setting for use without a box spring.
4. To use a box spring, remove the Side Cleats on each Side Rail (B) with Allen Key (1). Reattach the Side Cleats at the lower height using the Lock Washers and Allen Bolts, and tighten with Allen Key (1), as shown in Diagram II.
5. Place the Slats (D) on the top of the Side Rail's side slats and fasten using Screw (2), as shown in Diagram III.
6. Lay the Platform Panel (E) flat on the top of the Slats (D) and tighten it by using Screw (3), as shown in Diagram IV.
7. Assembly is complete.



WARRANTY

If you are not completely satisfied with your purchase, please contact us to return or exchange your item(s) within 30 days of the delivery date, with proof of purchase. Note that returns or exchanges are not accepted for special orders, items that have been installed, mattresses and/or foundations no longer in their original packaging, and other items listed below. Other exclusions may apply. Contact us for details. Unfortunately, Galleries cannot accept returns of furniture or other large items.

CARE INSTRUCTIONS

Spot clean only with a soft, damp cloth.